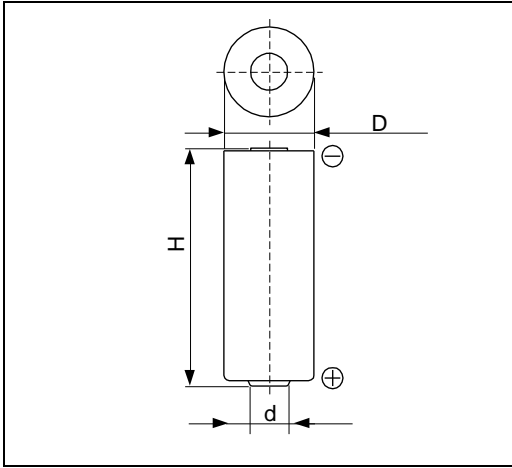


Cell Type CR17450SE Specifications



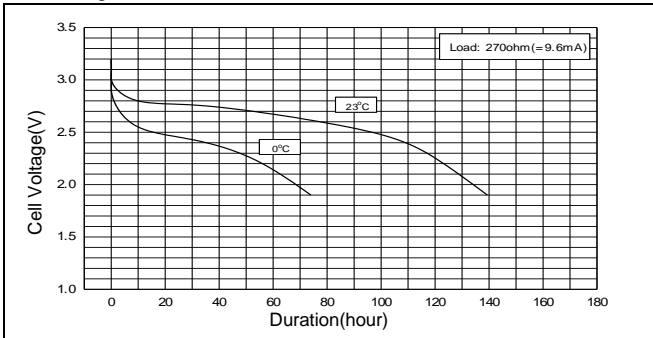
Nominal Voltage (V)		3
Nominal Capacity (mAh) *1		2500
Standard Discharge Current (mA)		0.5
Operating Temperature Range (°C) *2		-40 ~ +85
Max. Dimensions (mm)	Diameter (D)	17.0
	Height (H)	45.0
Approx. Weight (g)		22

*1 Nominal capacity is determined at an end voltage of 2.0V when the battery is allowed to discharge at a standard current level at +23°C.

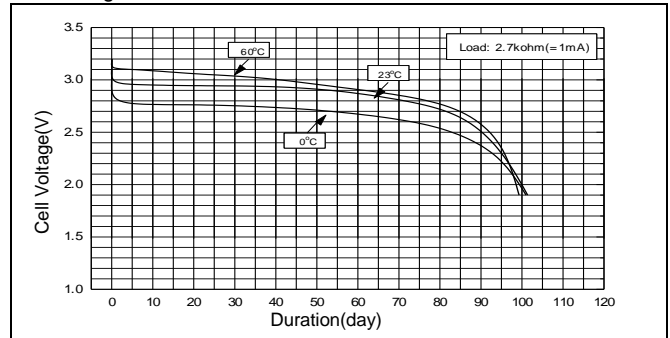
*2 Consult FDK when using batteries at temperatures exceeding the -20°C to +60°C range.

Typical Characteristics

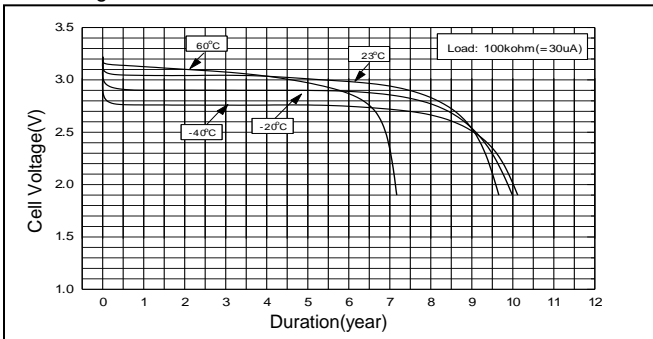
Discharge Characteristics of CR17450SE



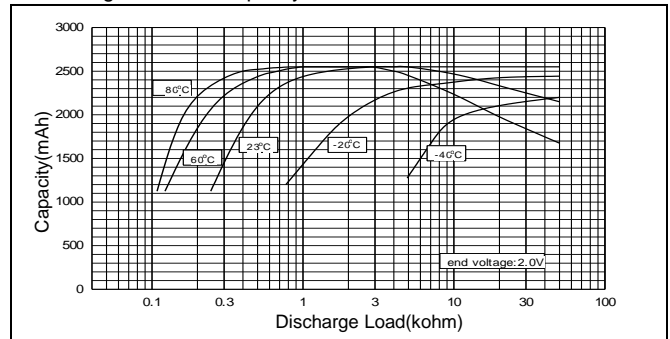
Discharge Characteristics of CR17450SE



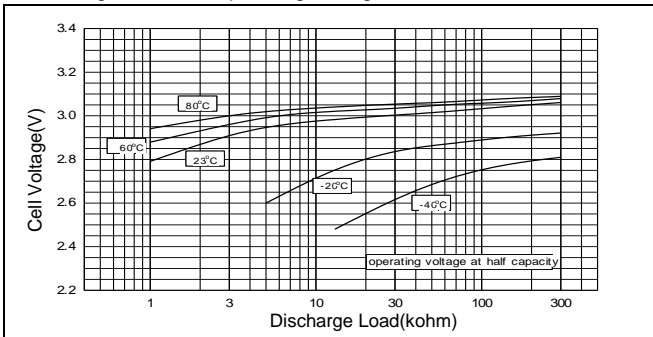
Discharge Characteristics of CR17450SE



Discharge Load vs. Capacity of CR17450SE



Discharge Load vs. Operating Voltage of CR17450SE



Discharge Characteristics of CR17450SE

